



SONOMA COUNTY FAIR VENDOR ACCESSIBILITY GUIDE

Striving for equal enjoyment for all!



The Fair & Exposition have made significant improvements to the permanent buildings and facilities to meet modern access codes. Since many of the added venues at fair time are purely temporary in nature, providing compliant access features can be challenging.

The key to meeting the requirements of the laws and codes is operator awareness. On all vendor presentations to the public, remember the limitations of your disabled customers.

The Federal ADA definition of a “disability” has grown and expanded to include limitations to Major Life Activities. So remember a person’s disability may not be as obvious as the presence of a mobility aid.

OBSTRUCTIONS

For the visually impaired the ability to detect obstacles with their canes prevents injury. In the primary paths of travel, non-cane “detectable” obstacles must not be present.

AMUSEMENT RIDES & AREA

Generally speaking, many mobile amusement rides are exempted from access laws, yet be aware that it is only older and un-altered rides that are exempt. ADA standards do exist for amusement rides that are newly designed or newly constructed or altered and these standards are available at ACCESS-BOARD.GOV. All vending, arcade games and other features must be accessible.

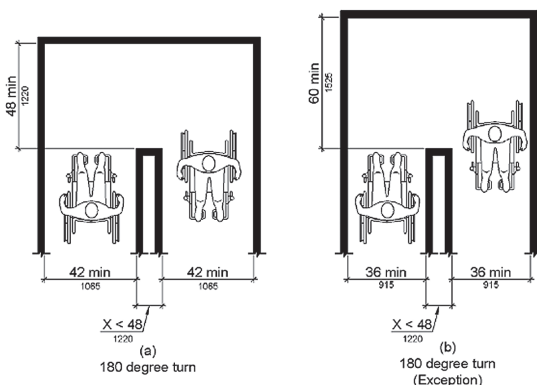
ASSISTIVE LISTENING SYSTEMS

The access laws state that if a public venue uses a voice amplification system, that electronic provisions must be provided for the hearing impaired.

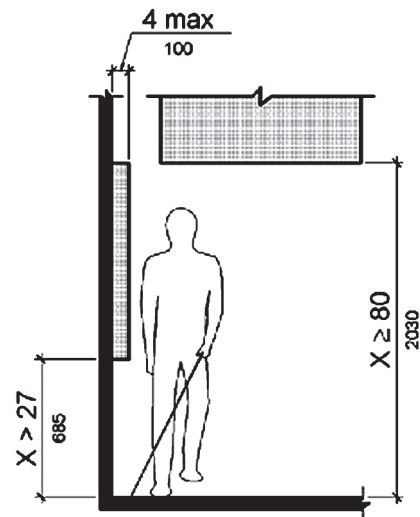
PATH OF TRAVEL

Generally speaking, the Accessible Path of Travel will be “clear and have grades not exceeding certain restrictions.”

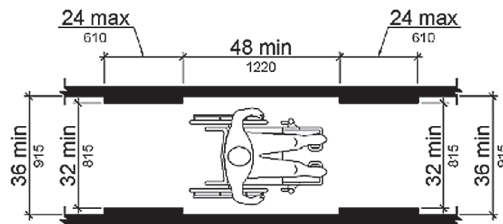
PATHWAY CLEARANCE REQUIREMENTS:



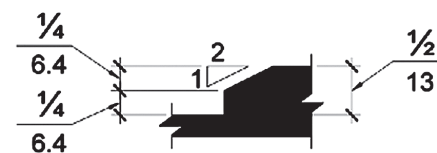
CLEAR WIDTH AT TURN



LIMITS OF PROTRUDING OBJECTS



CLEAR WIDTH OF AN ACCESSIBLE ROUTE

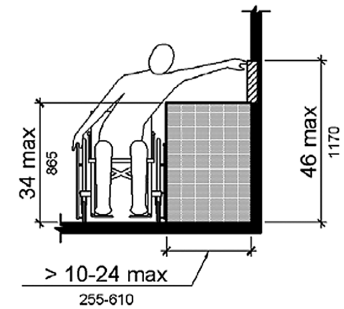


BEVELED CHANGE IN LEVEL

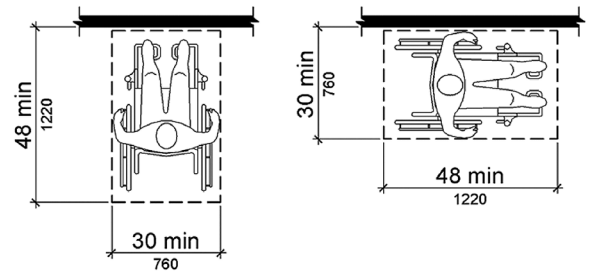
SALES AND SERVICE COUNTERS

To equally serve all your customers, counter height to serve wheelchair bound customers must not exceed 34" high, and be a minimum of 36" wide. Also, provide a clear and level area adjacent to this counter (level is defined as no more than 1/4" rise in a 12" run, in the size shown below. Many vendors will select the "Parallel Approach" design, as most will not need the under surface clearance. If the customer must reach an item to the rear, note the height limit.

Many temporary fair vendor facilities are based upon highway vehicles, creating limits as to the ability to lower a customer counter to the required height of 34". Compliant vendors have found that placing a lower service counter next to the vehicle and staffing this for sales to ALL customers is a way to meet the law. Vendors have reported sales increases and other benefits to this change, a win/win situation.



HIGH SIDE REACH



(a) forward
(b) parallel
POSITION OF CLEAR FLOOR OR GROUND SPACE

CONCESSIONS

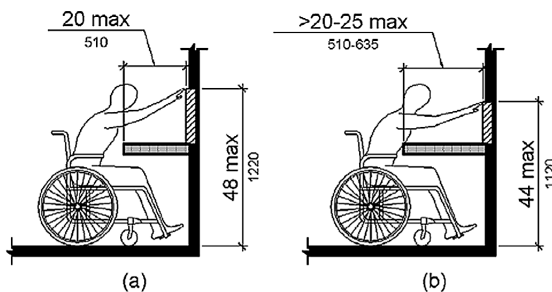
Signage describing the means of assistance for obtaining goods, readable at a distance of 50 feet utilizing Fast Signs, Inc. letter number scale (or its equivalent) will be provided at those concessions where providing accessible counters are not available. Such signage shall be posted in conspicuous locations and contain a white Internal Symbol of Accessibility (ISA) on a blue background.

Concession trailers will be located so that there are flat areas in front of the transaction counters.

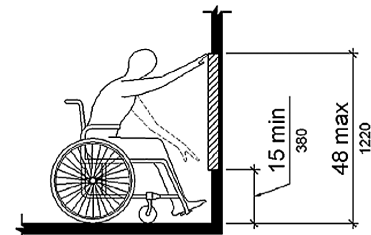
The concession trailers will be positioned so they do not obstruct curb ramps or impede pedestrian access to the sidewalk.

REACH RANGES

Placement of products for customer access must be within reach range limits.



UNOBSTRUCTED FORWARD REACH



UNOBSTRUCTED HIGH FORWARD REACH

This guide highlights some of the access codes that apply to temporary vending carnival and arcade activities. This guide is not intended to cover all aspects, only some of the issues that have been noted in the past and is not intended as legal advice. It is your responsibility to ensure compliance with accessibility regulations. For more complete information visit WWW.ADA.GOV.

NOTE: Local, state and federal codes can apply. On occasion there can be conflicts between access codes, If found, you must comply with the most restrictive of the two.

COMPLAINTS

Should you become aware of any customer access complaints, you are required to **immediately notify Fairgrounds Management** and actively work with staff to resolve the issue, up to and including removing the subject of the complaint.